



**LED**  
EMERGENCY LIGHT  
SL-EL12VCU Series



**Product characteristics (2) :**

- Light up by high power Led Chip
- Power Lamp 9W x 2, 12W x 2
- Constant brightness throughout backup period
- Protection on Over Load, Short Circuits and Over Charge
- Led Life Time 50,000 Hour
- Automatic Cycle Time Self Test
- 10 year warranty on Led Bulb
- 5 year warranty on power board
- 2 year warranty on battery
- Free On Site Service

**APPLICATION PLACE**



Office



Meeting room



Factory



Underground parking garage



Office building



Hotel



Supermarket



Household life

**MADE IN THAILAND**



TIS 1102-2538



TIS 1955-2551



Skylight Technology International Co.,Ltd.

37/4-5 Moo.4, T.Taykoa, A.Samkhok, Pathumthani 12160, Thailand Tel : +662-1010377-9 Fax : +662-1010380 website : www.skylight.co.th



Office



Meeting room



Factory



Underground parking garage



Office building



Hotel



Supermarket



Household life

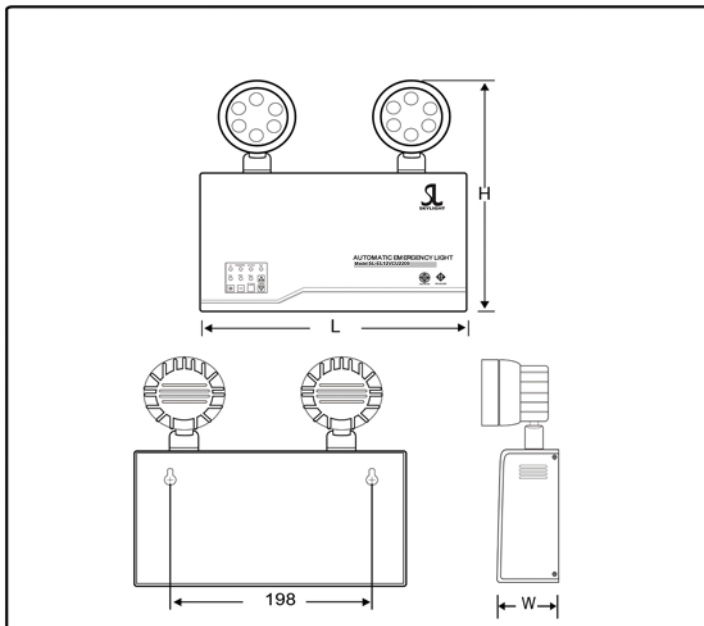
# LED

## EMERGENCY LIGHT SL-EL12VCU Series

### Product Specification

Product model	SL-EL12VCU2209	SL-EL12VCU2309	SL-EL12VCU2509	SL-EL12VCU2212	SL-EL12VCU2312
Input voltage	220V / 50Hz+/-10%	220V / 50Hz+/-10%	220V / 50Hz+/-10%	220V / 50Hz+/-10%	220V / 50Hz+/-10%
LED Lamp Power	9W x 2	9W x 2	9W x 2	12W x 2	12W x 2
Color Temperature	5,500 - 6,500k , 2,700 - 3,000k	5,500 - 6,500k , 2,700 - 3,000k	5,500 - 6,500k , 2,700 - 3,000k	5,500 - 6,500k , 2,700 - 3,000k	5,500 - 6,500k , 2,700 - 3,000k
Rated Beam Angle	50Deg	50Deg	50Deg	50Deg	50Deg
Battery Type	Sealed Lead-Acid	Sealed Lead-Acid	Sealed Lead-Acid	Sealed Lead-Acid	Sealed Lead-Acid
Battery Capacity	12V2.9Ah	12V5.0Ah	12V7.0Ah	12V5.0Ah	12V7.0Ah
Battery cut-off Voltage	10.50VDC	10.50VDC	10.50VDC	10.50VDC	10.50VDC
Charging Current	130mA	130mA	130mA	130mA	130mA
Charging Time	10-15Hrs.	10-15Hrs.	10-15Hrs.	10-15Hrs.	10-15Hrs.
Backup Time	2.0Hrs.	3.0Hrs.	5.0Hrs.	2.5Hrs.	3.5Hrs.
Charging Mode	Constant voltage&Limit current				
Housing	Plastic ABS UL94 V-0 and Steel sheet, 1mm.				
Dimension (LxWxH)	250 x 80 x 220 mm.	250 x 80 x 220 mm.	250 x 80 x 220 mm.	250 x 80 x 220 mm.	250 x 80 x 220 mm.
Weight	2.6kg.	3.2kg.	3.6kg.	3.2kg.	3.6kg.

### Dimension (mm)



### Indicators

