



LED
EMERGENCY LIGHT
SL-EL6V Series



Product characteristics:

- Light up by high power Led Chip
- Constant brightness throughout backup period
- Protection on Over Load, Short Circuits and Over Charge
- Led Life Time 50,000 Hour
- Manual Switch Self Test
- 10 year warranty on Led Bulb
- 5 year warranty on power board
- 18 month warranty on battery
- Free On Site Service

APPLICATION PLACE



Office



Meeting room



Factory



Underground parking garage



Office building



Hotel



Supermarket



Household life

MADE IN THAILAND



TIS 1102-2538



TIS 1955-2551

Skylight Technology International Co.,Ltd.

37/4-5 Moo.4, T.Taykoa, A.Samkhok, Pathumthani 12160, Thailand Tel : +662-1010377-9 Fax : +662-1010380 website : www.skylight.co.th





Office



Meeting room



Factory



Underground parking garage



Office building



Hotel



Supermarket



Household life

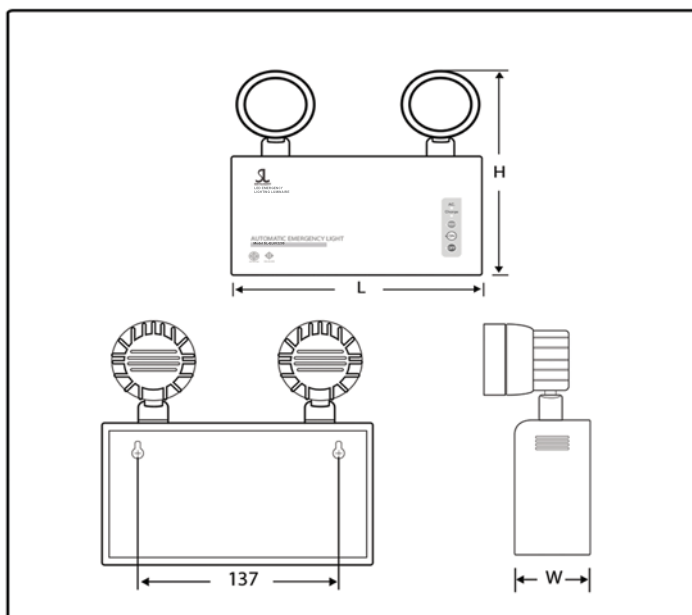
LED

EMERGENCY LIGHT SL-EL6V Series

Product Specification

Product model	SL-EL6V2703	SL-EL6V2209
Input voltage	220V / 50Hz+/-10%	220V / 50Hz+/-10%
Output Voltage	6VDC	6VDC
Led Lamp Power	3W x 2	9W x 2
Battery Type / Size	Sealed Lead-Acid 6V4.5Ah.	Sealed Lead-Acid 6V4.5Ah.
Battery cut-off Voltage	1.60-1.75V / Cell	1.60-1.75V / Cell
Charging Mode	Constant voltage & Limit current	Constant voltage & Limit current
Charging Current	450mA	450mA
Charging Time	10-15Hrs.	10-15Hrs.
Back up Time	7.0Hrs.	2.0Hrs.
Protection	AC. Fuse	AC. Fuse
	DC. Fuse	DC. Fuse
	Battery low voltage cut-off	Battery low voltage cut-off
Housing	Plastic ABS Casing	Plastic ABS Casing
Dimension (LxWxH)	210 x 70 x 220 mm.	250 x 80 x 240 mm.
Weight	2.52kg.	2.63kg.

Dimension (mm)



Indicators

